

INSTALLATION AND CARE INSTRUCTIONS

Top Down-Bottom Up Cordless Honeycomb Shade



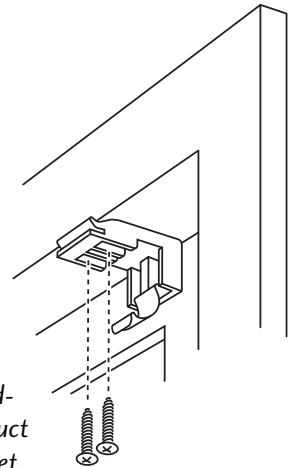
INSTALLATION

Inside Mount

Flush inside mount requires 2" depth.

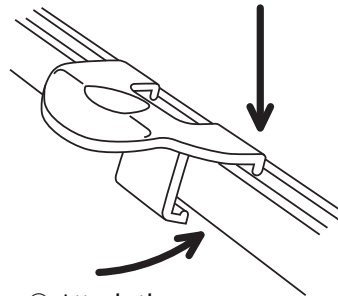
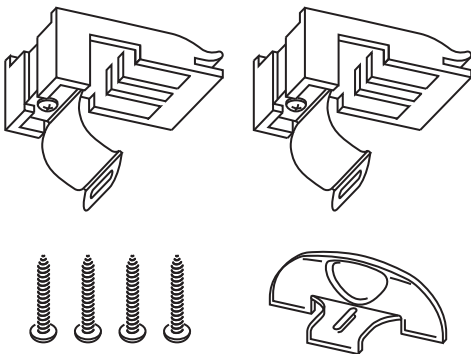
① Mark location of brackets and screw to the window frame. The brackets should lie 3–4" from each end of where the shade will be installed.

**If the inside edge of the bracket is further than 3" from the end of the headrail, the cord retracting spool may obstruct the headrail from attaching to the bracket.*

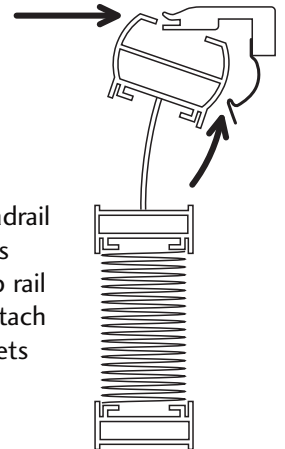


PACKAGE CONTENTS

- 2, 3, or 4 mounting brackets, depending on size
- 4–8 screws, depending on size
- 2 rail handles for lifting and lowering shade



② Attach the rail handles to the bottom and top rails.



③ Attach the headrail to the brackets as shown. Lower top rail by 3–4", then attach headrail to brackets as shown.

TOOLS REQUIRED

Phillips screw driver, pencil

OPERATING AND CLEANING INSTRUCTIONS

Always use the plastic handle to move the shade up and down. Avoid touching the fabric.

To clean the shade use a vacuum or feather duster.

Outside Mount

For maximum draft and light control the headrail should overlap each inside edge of the window by at least 1/2".

① Mark location of brackets and screw to the window frame. The brackets should lie 3–4" from each end of where the shade will be installed.

Follow steps 2 and 3 from above.

