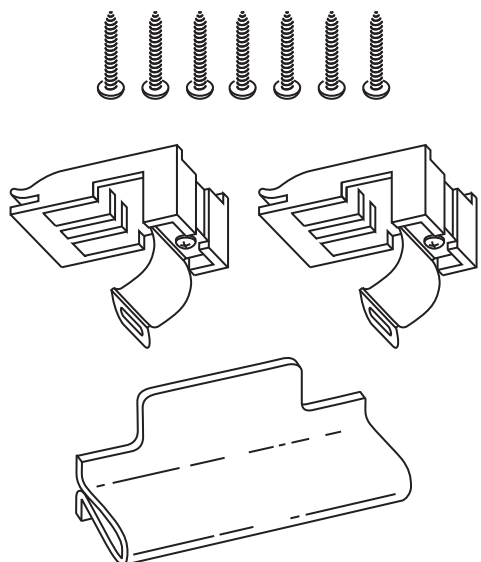


## INSTALLATION AND CARE INSTRUCTIONS

# Cordless Easy Glide Roman Shade

### PACKAGE CONTENTS

- 2 or 3 mounting brackets, depending on size
- 5 or 7 screws, depending on size
- bottom rail handle for lifting and lowering shade



### TOOLS REQUIRED

Phillips screw driver, pencil

### OPERATING AND CLEANING INSTRUCTIONS

Always use the plastic handle to move the shade up and down.  
Avoid touching the fabric.

To clean the shade use a vacuum or feather duster.

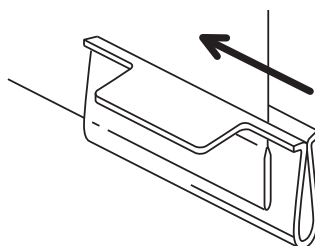
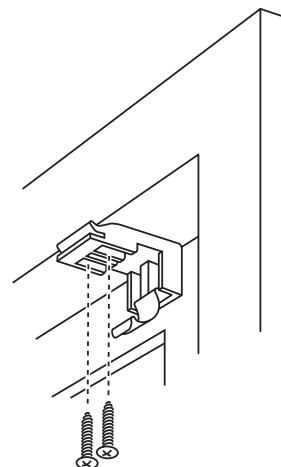
### INSTALLATION

#### Inside Mount

Flush inside mount requires 2" depth.

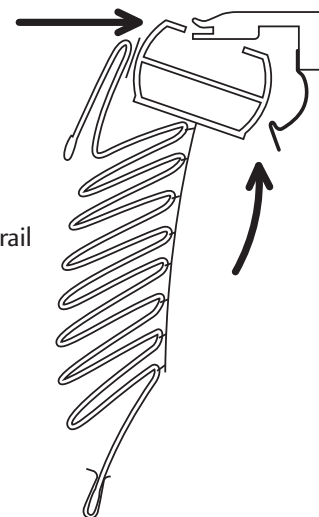
- ① Mark location of brackets and screw to the window frame. The brackets should lie 2–3" from each end of where the shade will be installed.

*\*If the inside edge of the bracket is further than 3" from the end of the headrail, the cord retracting spool may obstruct the headrail from attaching to the bracket.*



- ② Attach the bottom rail handle to the bottom rail of the shade.

- ③ Attach the headrail to the brackets as shown.



#### Outside Mount

For maximum draft and light control the headrail should overlap each inside edge of the window by at least 1/2".

- ① Mark location of brackets and screw to the window frame. The brackets should lie 2–3" from each end of where the shade will be installed.

Follow steps 2 and 3 from above.

