



⚠️ WARNING	⚠️ ADVERTENCIA
<p>Young children can STRANGLE in cord and bead chain loops. They can also wrap cords around their necks and STRANGLE.</p> <ul style="list-style-type: none"> Always keep cords and bead chains out of children's reach. Move cribs, playpens, and other furniture away from cords and bead chains. Children can climb furniture to get to cords. Do not tie cords together. Make sure cords do not twist together and create a loop. 	<p>Los niños pequeños corren el riesgo de ESTRANGULARSE en los lazos de las cuerdas y cadenas. También se pueden envolver las cuerdas alrededor del cuello y ESTRANGULARSE.</p> <ul style="list-style-type: none"> Mantenga siempre las cuerdas y cadenas fuera del alcance de los niños. Mueva las cunas, los corrales y otros muebles lejos de las cuerdas y cadenas. Los niños pueden subirse a los muebles para llegar a las cuerdas. No ate las cuerdas unas a otras. Asegúrese de que no se enrieden creando un lazo.

⚠️ WARNING

⚠️ ADVERTENCIA



This product contains accessible cords on the back. Accessible cords on the back of Roman Style shades can be pulled out to form a loop, which can STRANGLE a young child.

- Children can climb furniture to access lift cords. Move cribs, playpens, and other furniture away from window coverings.



Este producto contiene cordones de fácil acceso en la parte trasera. Los cordones de fácil acceso de la parte trasera de las persianas romanas pueden sacarse y formar un lazo, con el cual un niño pequeño puede ESTRANGULARSE.

- Los niños pueden treparse a los muebles y alcanzar los cordones de elevación. Mantenga cunas, corrales y otro tipo de muebles alejados de las coberturas de ventanas.

⚠️ WARNING

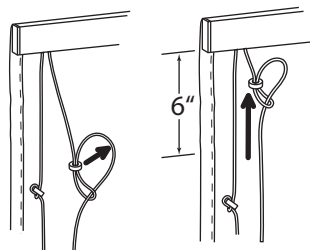
⚠️ ADVERTENCIA

⚠️ WARNING	⚠️ ADVERTENCIA
<p>6" or less</p> <p>Inner cords can pull out to form a loop, which can strangle a young child.</p> <ul style="list-style-type: none"> Inner cord stop devices can reduce this risk if positioned correctly on the pull cords. If inner cord stop devices are more than 6 inches (153mm) below the headrail when the blind is fully lowered, move them closer by following the inner cord stop device adjustment instructions. 	<p>6" or less</p> <p>Las cuerdas internas pueden sacarse para formar un lazo en que puede ESTRANGULARSE un niño pequeño.</p> <ul style="list-style-type: none"> Los dispositivos de paro de la cuerda interna pueden disminuir este riesgo si están situados correctamente en el halado de las cuerdas. Si los dispositivos de paro de cuerda interna son más de 6 pulgadas (153mm) por debajo del riel superior cuando está bajada completamente la persiana, muévalos siguiendo las instrucciones del ajuste de paro de cuerda interna.

CORD SAFETY: The cords on your Roman Shade can form a standing loop that poses a strangulation hazard to young children. Your Roman Shade is equipped with mechanisms to prevent such a loop from forming.

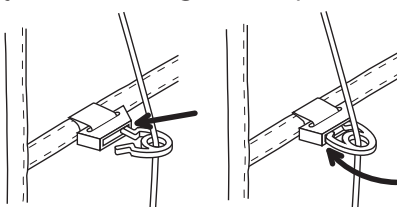
Pull cords should be cut to the shortest length possible. Fully lower shade then cut pull cords to the shortest length that will allow for access by intended user. As noted in warnings, pull cords should never be knotted together.

CORD STOPS: The pull cords on your Roman Shade come equipped with inner cord stop devices. When your Roman Shade is in its fully lowered position these cord stops should be less than 6" from the headrail. To reposition the cord stop, loosen the knot tied around the cord stop, adjust the position, then tighten the knot.



BREAK AWAY RINGS: The rear cords on your Roman Shade are equipped with guide rings that will break away from the body of the shade if excessive force is applied. The purpose of these break away rings is to eliminate the strangulation hazard caused by a free standing cord loop.

If the rings break away during normal use of the shade they can be easily reattached.



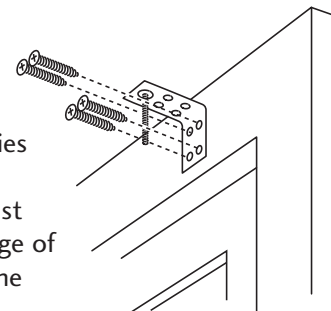
INSTALLATION

Bracket Location & Installation

Decide whether your shade will be mounted *outside* or *inside* the window frame.

Outside Mount

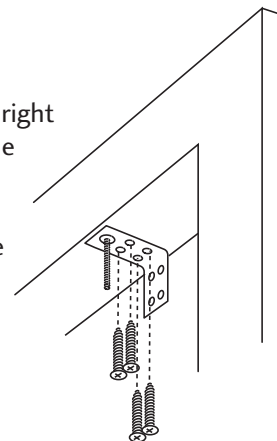
Mount Shade bracket as shown. The right hand bracket must be mounted so the right hand edge of the right bracket lies 1/2" inside the right edge of the shade. The left hand bracket must be mounted so the left hand edge of the left bracket lies 1/2" inside the left edge of the shade.



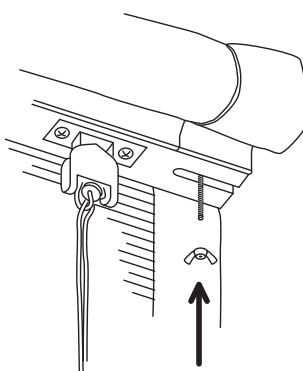
Pre drilling the screw holes is recommended.

Inside Mount

Mount Shade bracket as shown. The right hand bracket must be mounted so the right hand edge of the right bracket lies 1/2" inside the right edge of the shade. The left hand bracket must be mounted so the left hand edge of the left bracket lies 1/2" inside the left edge of the shade.



Pre drilling the screw holes is recommended.

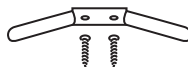


Securing the headrail to the bracket:

While holding the headrail firmly in place, tighten the wing nuts securely to the bracket posts.

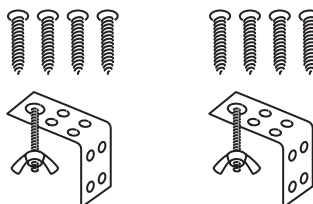
PACKAGE CONTENTS

- One cord cleat and two (2) screws for securing cords out of reach of children.



- One Roman Shade with attached head rail.
- One mounting bracket kit.

Mounting bracket kit includes:



(8) eight screws, (2) two brackets
two (2) bolts and two (2) wing nuts

CLEANING

Use a feather duster or lightly vacuum the shade fabric with the soft brush attachment.